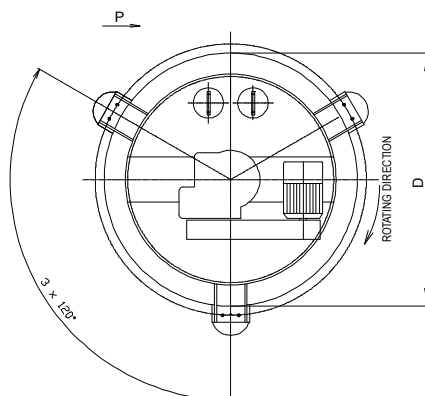
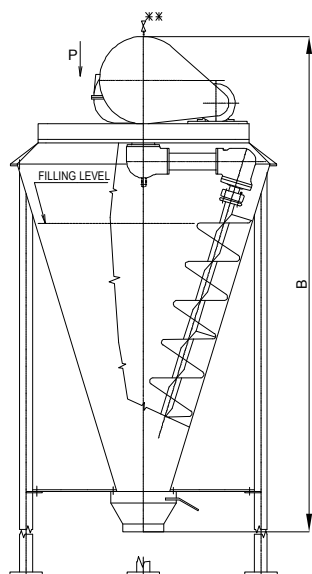


Konisk skruvmixer VSM



| Modell | B | D | Vikt | Volym | Effekt kW |
|-----------|------|------|------|-------|-----------|
| VSMX 50 | 1222 | 750 | 250 | 50 | 0,75 |
| VSMX 100 | 1372 | 822 | 300 | 100 | 1,1 |
| VSMX 200 | 2200 | 1130 | 550 | 200 | 2,2 |
| VSMX 300 | 2400 | 1300 | 600 | 300 | 3,0 |
| VSMX 600 | 2714 | 1492 | 650 | 600 | 3,0 |
| VSMX 1000 | 3054 | 1560 | 700 | 1000 | 3,0 |
| VSMX 1500 | 3410 | 1753 | 800 | 1500 | 4,0 |
| VSMX 2000 | 3650 | 1936 | 900 | 2000 | 4,0 |
| VSMX 3000 | 4110 | 2180 | 1000 | 3000 | 5,5 |
| VSMX 5000 | 4805 | 2950 | 3000 | 5000 | 11,0+0,75 |