

**Electro pneumatic positioner**

Electro pneumatic positioner for control of the degree of opening of an angle seat valve.

Work temperature: 0 to 60 °C

Control signal: 4-20 mA, 0-20 mA or 0-10 V

Supply voltage VDC

Article number: P-091003

**Assembly kit consisting of:**

Bushing for angle seat valve

Montage plate for the positioner.

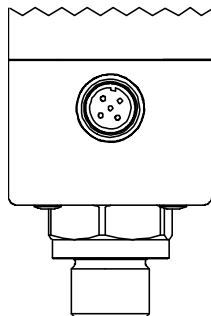
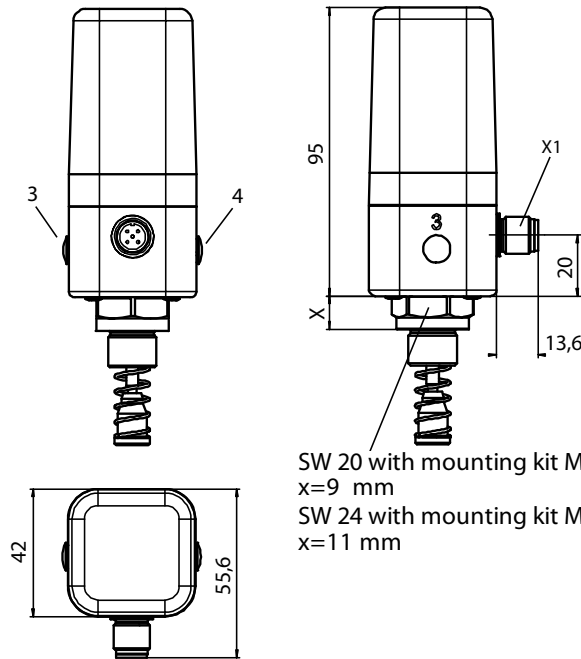
Foot. Plastic "pom". Ø8,5. M3

Pressure spring 6x45x0,5

Article number: P-104280



*Positioner with assembly kit and an angle seat valve*



Pin	Signal name
1	U <sub>v</sub> , 24V DC supply voltage
2	I+ / U+, 4-20 mA / 0-20 mA / 0-10V (set value input)
3	U <sub>v</sub> , GND (earth free)
4	I+ / U+, 4-20 mA / 0-20 mA / 0-10V (actual value output-optional)
5	U <sub>v</sub> , initialisation 24 V DC, initialisation is started by an impulse signal t = 100 ms