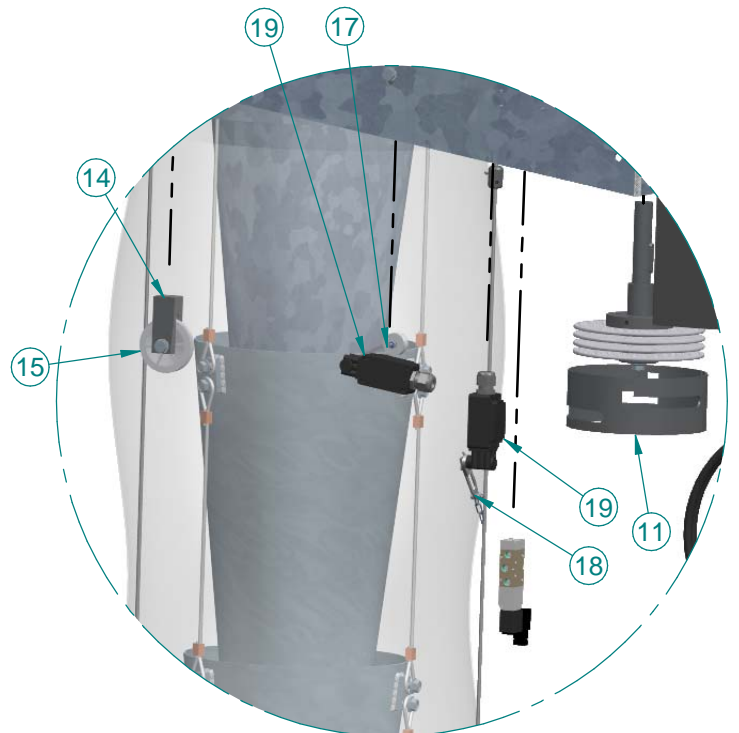
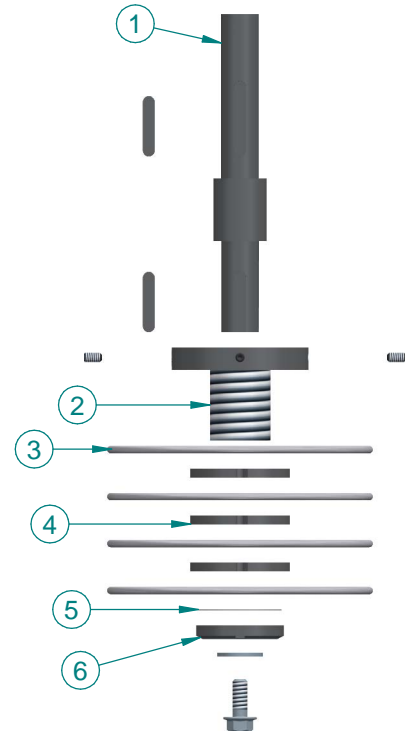
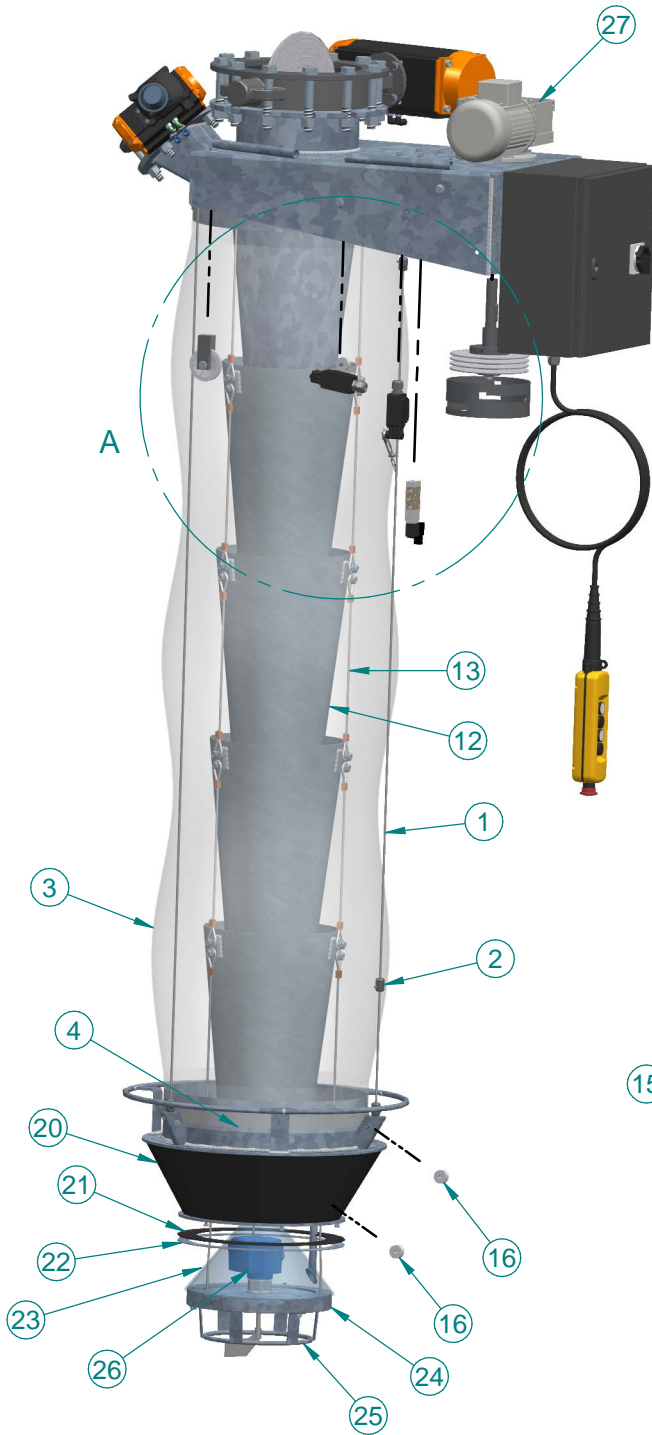


**Unloader SUB2**



DETAIL A

## Unloader SUB2

Reccomended spare- and wear parts					
No.	Qty.	Title	Spare part	Wear part	Art.nr
27	1	Worm gear motor 0,55 kW	Yes		P-310001
26	1	Level switch RN4001	Yes		P-1040050
25	1	Protection level guard	Yes		P-001614
24	1	Bottom plate	Yes		P-300513
23	1	Dispersion cone	Yes		P-300514
22	1	Flange for rubber seal	Yes		P-30051108
21	1	Rubber seal, dispersion cone	Yes	Yes	P-30051107
20	2	Rubber cone, half	Yes	Yes	P-40097100
19	2	Limit switch Schmersal Z4V7H 336-02z-2138	Yes		P-100142
18	1	Arm for upper limit switch	Yes		P-100145
17	1	Arm for slackline limit switch	Yes		P-100144
16	6	30mm wire wheel	Yes	Yes	P-001168
15	5	70 mm wire wheel	Yes	Yes	P-900025
14	4	Wire wheel console	Yes		P-00172
13	X	Carriyng line	Yes	Yes	P-400187
12	X	Inner cone	Yes		P-300062
11	1	Wire collector cover	Yes		P-20024702
10	1	SKF axle nut	Yes		P-200248
9	1	SKF lock washer	Yes		P-20024705
8	3	Spacer ring	Yes		P-20024704
7	4	Circle	Yes		P-20024701
6	1	Wire hub	Yes		P-20024703
5	1	Axle wire collector	Yes		P-200247
4	2	Bellow clamp	Yes		P-400211
3	X meters	Bellow	Yes	Yes	P-900010
2	5	Wire stop	Yes		P-4000963
1	X meters	5mm stainless steel wire	Yes	Yes	P-900009

**When you place a order for spare parts always specify:**

- Product name (SUB2/4), and manufacturing number (T-XX XXX).
- Article number of spare part, quantity and title.